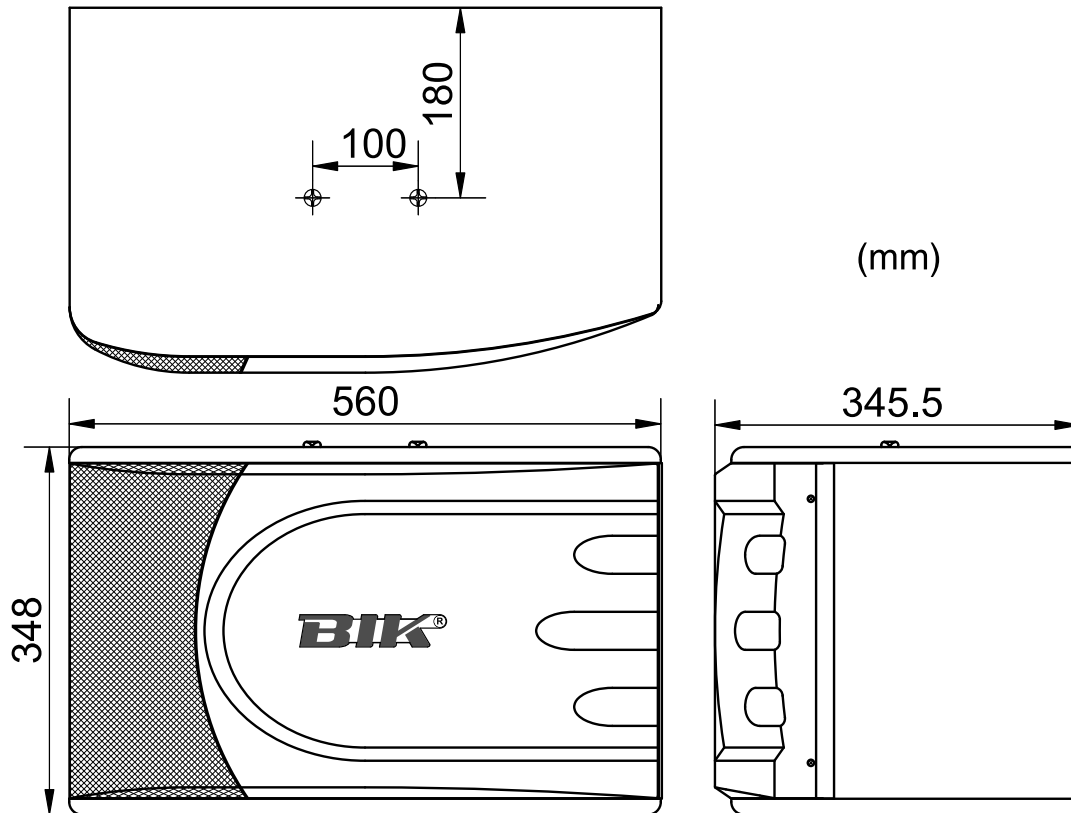


# Specifications

## BS-990 12" 2 Way Speaker System

Type	2 way, 5 speakers Bass-reflex type	
Speaker Units	Woofer	30cm(12") Cone type x 1
	Tweeter	7.7cm(3") Cone type x4
Max Input Power	650W	
Rating Input Power	220W	
Impedance	8 Ω	
Sound Pressure Level	93dB	
frequency Response	30 - 20,000Hz	
Crossover Frequency	2,000Hz	
Anti-magnetized	Anti-magnetized type	
Dimension (W x H x D)	560 x 348 x 345.5 mm	
Weight	17kg (1piece)	



**BIK CO.,LTD.**

3-34 YANAKA-CHO, KOSHIGAYA-SHI,  
SAITAMA-KEN 343-0856 JAPAN

TEL. +81-48-969-6533 FAX. +81-48-969-6556