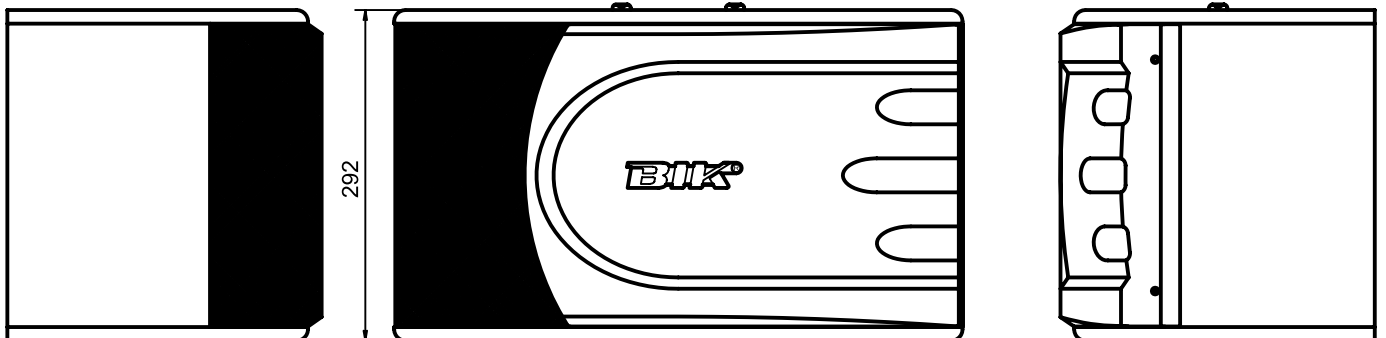
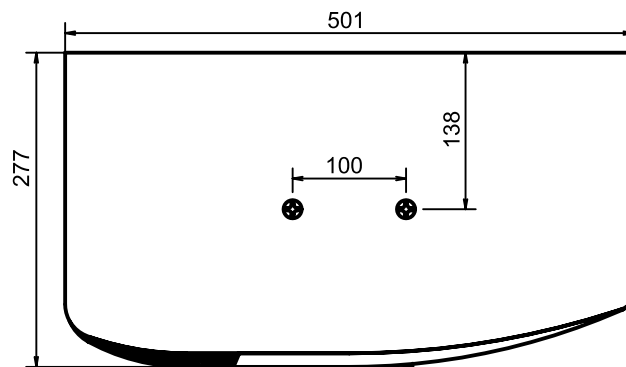


Specifications

BS-880 10" 2 Way Speaker System

Type	2 way, 3 speakers Bass-reflex type	
Speaker Units	Woofer	25cm(10") Cone type x 1
	Tweeter	7.7cm(3") Cone type x2
Max Input Power	450W	
Rating Input Power	150W	
Impedance	8 Ω	
Sound Pressure Level	90dB	
frequency Response	35 - 20,000Hz	
Crossover Frequency	2,000Hz	
Anti-magnetized	Anti-magnetized type	
Dimension (W x H x D)	501 x 292 x 277 mm	
Weight	11.7kg (1piece)	



BIK CO.,LTD.

3-34 YANAKA-CHO, KOSHIGAYA-SHI,
SAITAMA-KEN 343-0856 JAPAN

TEL. +81-48-969-6533 FAX. +81-48-969-6556